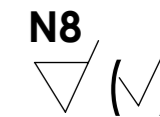


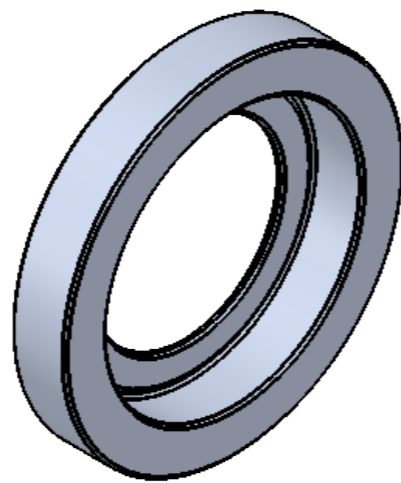
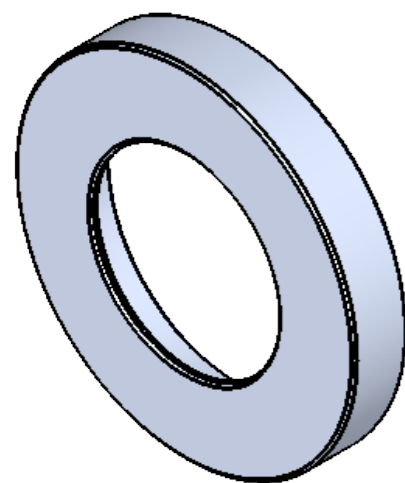
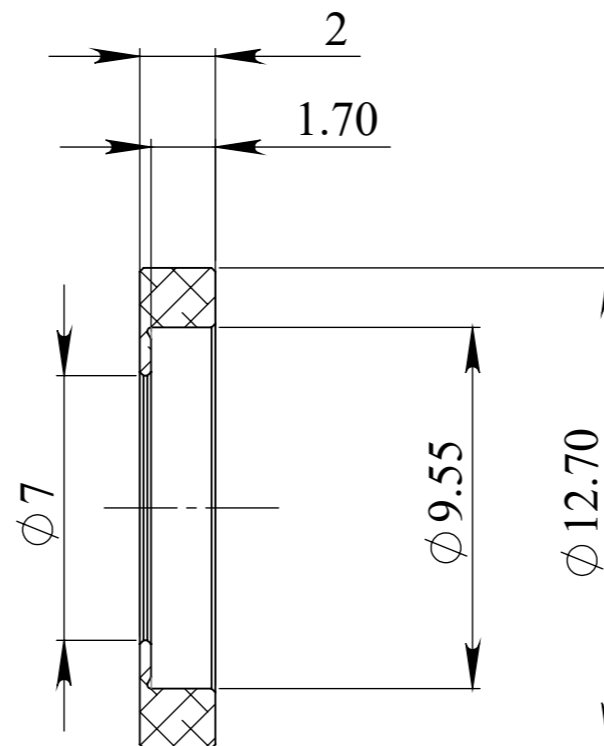
PAM-05

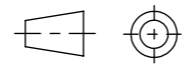
This drawing and information herein is proprietary to Acktar Ltd. and shall not be disclosed except in accordance with its written permission

REVISIONS				
REV.	DESCRIPTION	ECO No	APPROVED	DATE

N8


Scale 5:1



TOLERANCES UNLESS OTHERWISE SPECIFIED (ISO 2768)			DWG NO. PAM-05				
OVER INCL			NAME Pinhole / Airlit mount				
0	6	± 0.1					
	6	± 0.2	LIT. MASS SCALE: 0.32 g.				
	30	± 0.3					
	120	± 0.5	LISTS 1 LISTS 1				
	315	± 0.8					
	ANGLE	± 1	Acktar Ltd. 19 Topaz St. Kiryat Gat 8213513, Israel Tel: 972-8-6814213 Fax: 972-8-6810198 Email: info@acktar.com				
							
CH. LIST N.DOCUMENT SIGNAT. DATE DRAWN CHECKED TECHNOLOG MANUFACT. DESIGNED			MATERIAL: Hard Black Anodized Aluminum				