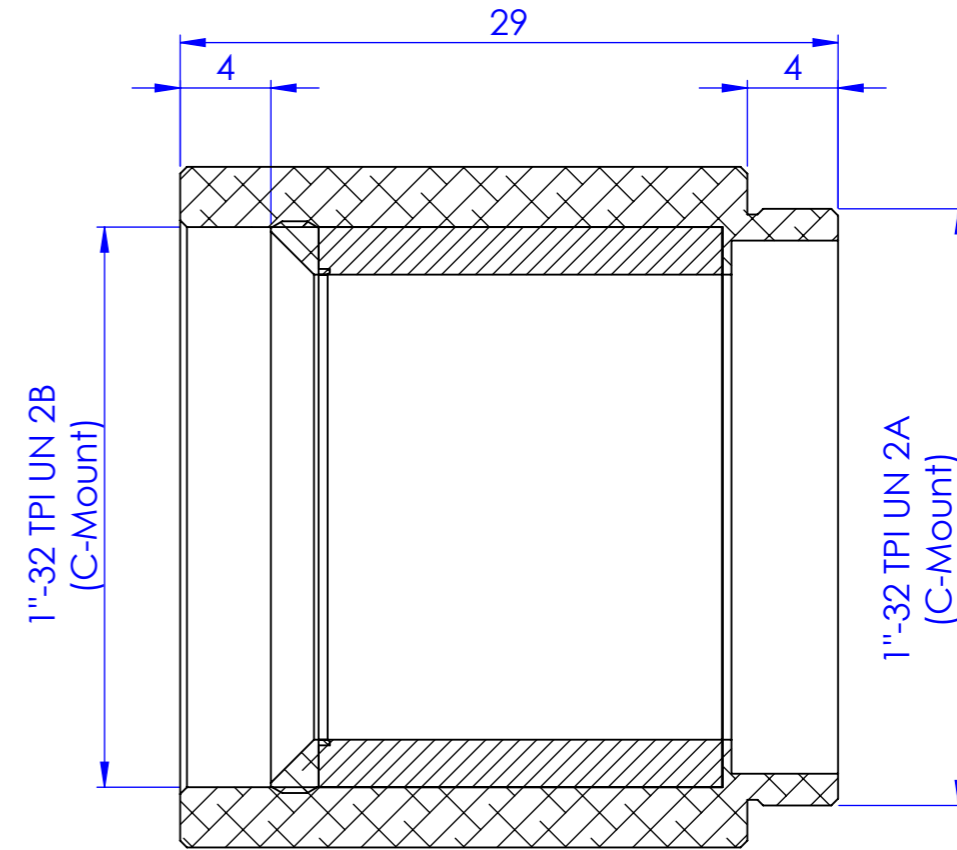
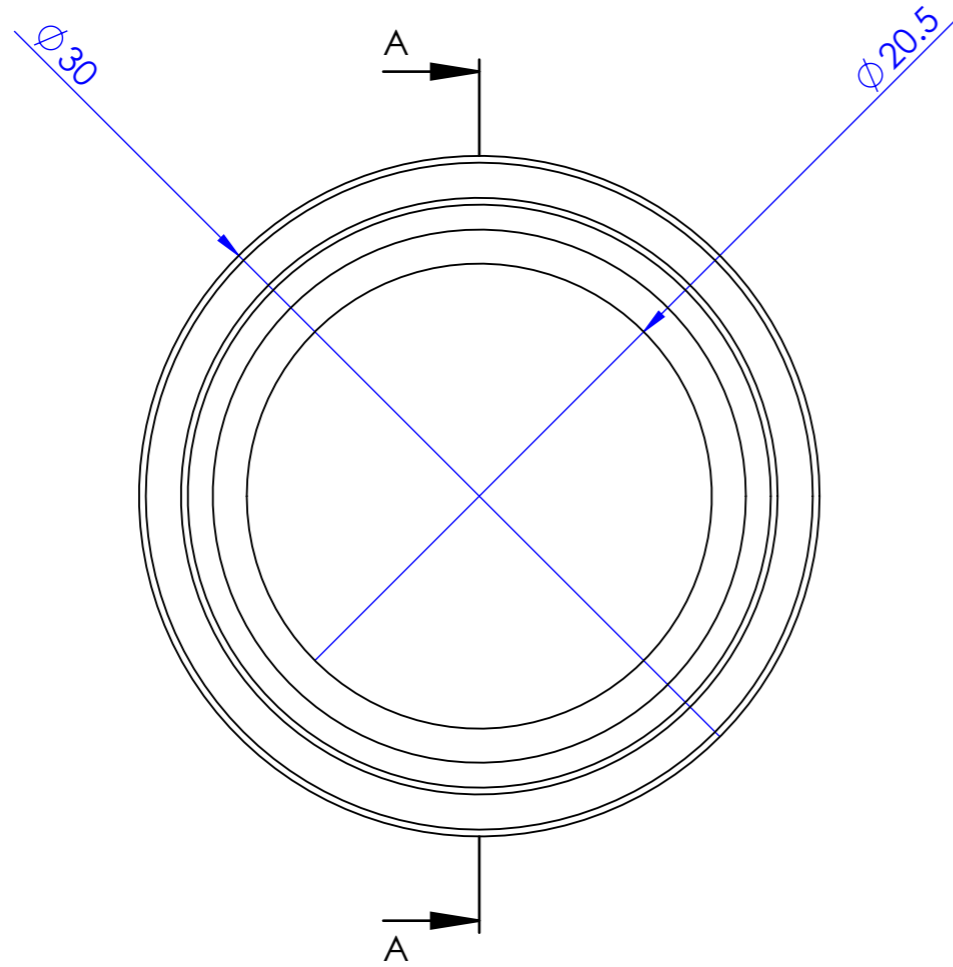


HBT-C1-25

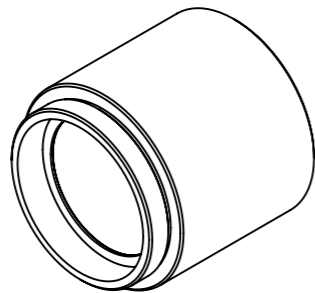
This drawing and information herein is proprietary to Acktar Ltd. and shall not be disclosed except in accordance with its written permission

REVISIONS

REV.	DESCRIPTION	ECO No	APPROVED	DATE



SECTION A-A
SCALE 3 : 1



TOLERANCES UNLESS OTHERWISE SPECIFIED (ISO 2768)			DWG NO. HBT-C1-25				
OVER INCL			CH.	LIST	N.DOCUMENT	SIGNAT.	DATE
0	6	± 0.1					
6	30	± 0.2					
30	120	± 0.3					
120	315	± 0.5					
315	1000	± 0.8					
	ANGLE	±1					
DRAWN							
CHECKED							
TECHNOLOG							
MANUFACT.							
Approved By							
DESIGNED							

DO NOT SCALE DRAWING		
LIT.	MASS	SCALE:
	20.01 g.	
LIST 1		LISTS 1
Acktar Ltd. 19 Topaz St., P.O.Box 8643 Kiryat Gat 8213513, Israel Tel: 972-8-6814213 Fax: 972-8-6810198 Email: info@acktar.com		