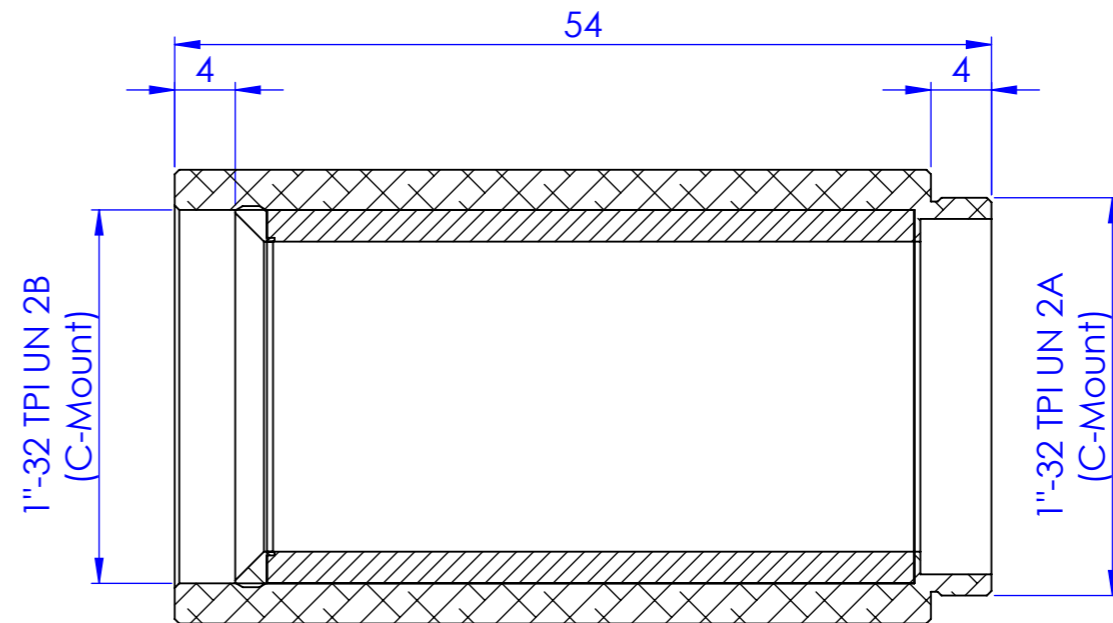
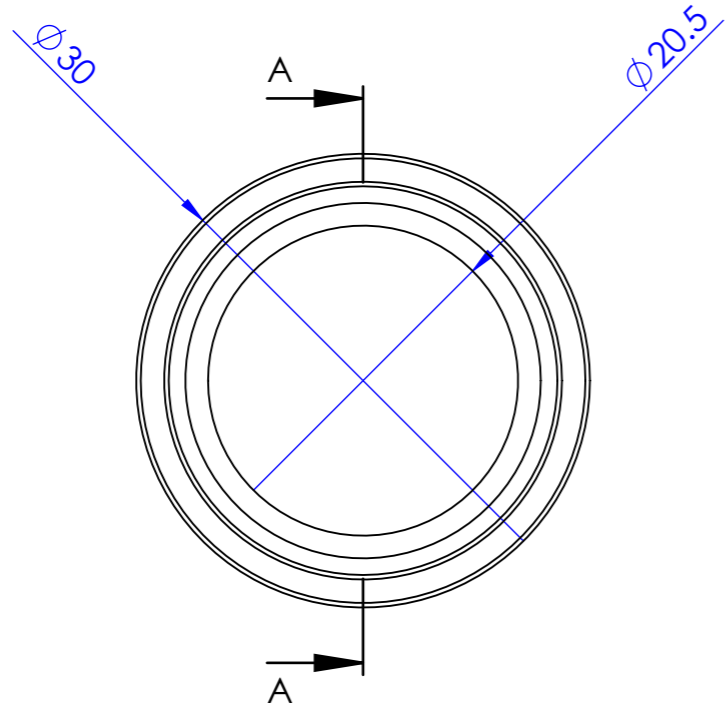


HBT-C1-50

This drawing and information herein is proprietary to Acktar Ltd. and shall not be disclosed except in accordance with its written permission

REVISIONS				
REV.	DESCRIPTION	ECO No	APPROVED	DATE



SECTION A-A

TOLERANCES UNLESS OTHERWISE SPECIFIED (ISO 2768) OVER INCL			DWG NO. HBT-C1-50			DO NOT SCALE DRAWING											
0	6	± 0.1	CH.	LIST	N.DOCUMENT	SIGNAT.	DATE	LIT.	MASS	SCALE:							
6	30	± 0.2						DRAWN	CHECKED	TECHNOLOG	MANUFACT.	Approved By	DESIGNED	MATERIAL:			
30	120	± 0.3													LIST 1	LISTS 1	
120	315	± 0.5															Acktar Ltd. 19 Topaz St., P.O.Box 8643 Kiryat Gat 8213513, Israel Tel: 972-8-6814213 Fax: 972-8-6810198 Email: info@acktar.com
315	1000	± 0.8													NAME: Hexa Black™ Extension Tubes 50mm TITLE:		
ANGLE ±1			TITLE:			LIST 1 LISTS 1											
			TITLE:			LIST 1 LISTS 1											